

# Afroditi

CATEGORY-DEFINING HOSPITALITY DESIGN



AKOLLECTION BROCHURE



Making of AKollektion, Tangier/Morocco

# CONTENTS

- 04** Afroditi
- 05** Pentagon Pendant
- 08** Lattice Wall Light
- 11** Pleat Mirror Panel
- 15** Calcutta Mirror Tile
- 18** Piano Tile
- 22** Athens Bar Stool
- 24** Order Information



## **AFRODITI**

Afroditi is the designer responsible for some of the most significant & category-defining hospitality design projects of the past decade. Delivering expertise beyond interior design, the eponymous studio's critically acclaimed portfolio of branding, product and architectural interior design spans over 150 bars, restaurants, hotels and cinemas across 3 continents. Afroditi's holistic, 360-degree approach to hospitality design has set her aside from other designers of her generation.

Working in collaboration with the hospitality industry's luminaries, Afroditi has created the itsu brand, the design of Heston Blumenthal's 'The Perfectionists' Café; the concept and design of Dishoom and the blueprint for Lucky Cat by Gordon Ramsay and Curzon Cinemas' expansion.

## **AKOLLECTION**

2014 sees the launch of the long-awaited, signature product collection by designer Afroditi Krassa. Inspired by the bold and graphical glamour of Art Deco, the range consists of floor and wall finishes, furniture and lighting.

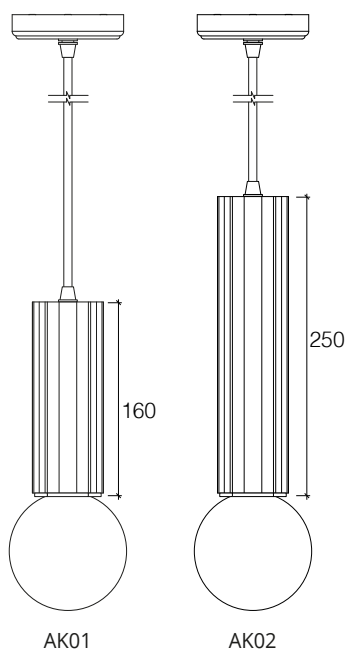
Under the title of Urban Opulence, the AKollection aims to pioneer a pared-down elegance for the future. The range explores processes and materials that are centuries old, traditional and artisanal, such as lustrous bevelled glass and encaustic cement tiles re-imagined in sleek patterns and unconventional applications. Manufactured in small batches, this exclusive range is only available directly from the designer's studio in the heart of London.

# PENTAGON PENDANT






# PENTAGON PENDANT



AK01 Pink Rosé



AK02 Pink Rosé

<b>PRICE</b>	Pentagon Pendant AK01: £225.00 excl. VAT & Shipping Pentagon Pendant AK02: £250.00 excl. VAT & Shipping
<b>LEAD TIME</b>	6-8 weeks
<b>ORDER &amp; CONTACT</b>	<a href="mailto:order@afroditi.com">order@afroditi.com</a>
<b>DESCRIPTION</b>	A pendant light in bevelled, tinted mirrored glass. The light is available in two sizes and three colours. LED recommended bulbs can also be supplied upon request.
<b>MATERIAL</b>	Powder Coated Steel and Bevelled Mirror / BS EN 1036-1:2007
<b>COLOUR</b>	 Smoked Bronze      Pink Rosé      Black Gloss
<b>PRODUCT CODE</b>	Pentagon Pendant Small: AK01 Smoked Bronze / AK01 Pink Rosé / AK01 Black Gloss Pentagon Pendant Large: AK02 Smoked Bronze / AK02 Pink Rosé / AK02 Black Gloss
<b>BULB SPECIFICATION</b>	60Watt (max); 240V; E27; Bulb not included
<b>CERTIFICATION</b>	CE, UL tested for North America on request
<b>CABLE</b>	L 2500mm; Black fabric cable
<b>CEILING ROSE</b>	D 95mm; Black
<b>WEIGHT</b>	Fitting: Small 0.75kg; Large 1.2kg
<b>DIMENSIONS</b>	Pentagon Pendant Small: H 160mm, D 65mm Pentagon Pendant Large: H 250mm, D 65mm
<b>SAMPLES</b>	Colour samples available in 70x70mm size approximately, @£5.00 each, excl. VAT & Shipping

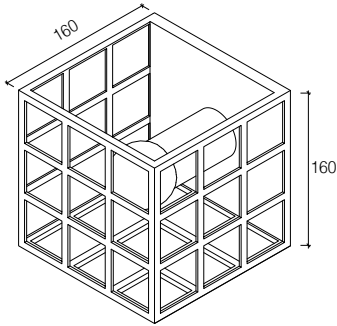
# LATTICE WALL LIGHT







# LATTICE WALL LIGHT



AK12 Lattice Light

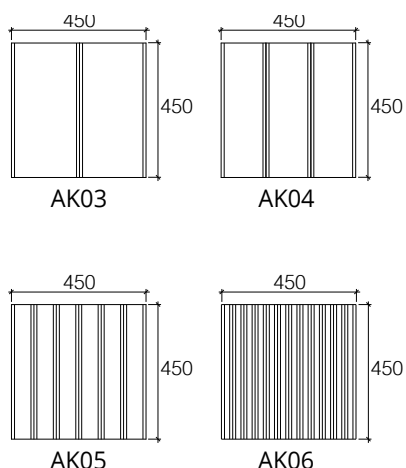
<b>PRICE</b>	Lattice Wall Light AK12: £145.00 excl. VAT & Shipping
<b>LEAD TIME</b>	6-8 weeks, limited availability in stock
<b>ORDER &amp; CONTACT</b>	order@afroditi.com
<b>DESCRIPTION</b>	A wall light in a matt gold finish powder coated steel with dramatic shadowing effect.
<b>MATERIAL</b>	Powder coated steel
<b>COLOUR</b>	Matt Gold
<b>PRODUCT CODE</b>	AK12: Lattice Light
<b>BULB SPECIFICATION</b>	x1 E27 Max 9W LED
<b>CERTIFICATION</b>	CE
<b>CABLE</b>	IEC 60446
<b>WALL LIGHT FIXTURES</b>	Not included
<b>WEIGHT</b>	0.55kg per unit
<b>DIMENSIONS</b>	H 160mm, W 160mm, D 160mm

# PLEAT MIRROR PANEL





# PLEAT MIRROR PANEL



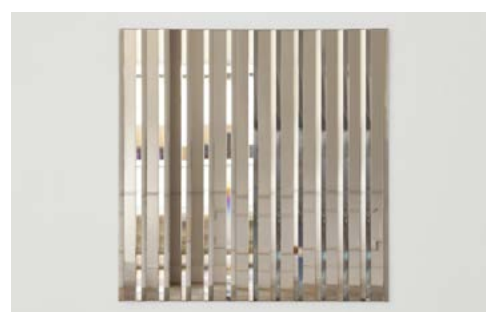
AK03 Smoked Bronze



AK04 Smoked Bronze



AK05 Smoked Bronze



AK06 Smoked Bronze

## PRICE

Pleat Mirror Panel AK03: £95.00 per panel excl. VAT & Shipping, £469.30 per m<sup>2</sup>  
 Pleat Mirror Panel AK04: £115.00 per panel excl. VAT & Shipping, £568.10 per m<sup>2</sup>  
 Pleat Mirror Panel AK05: £155.00 per panel excl. VAT & Shipping, £765.70 per m<sup>2</sup>  
 Pleat Mirror Panel AK06: £245.00 per panel excl. VAT & Shipping, £1210.30 per m<sup>2</sup>

## LEAD TIME

6-8 weeks

## ORDER & CONTACT

order@afroditi.com

## DESCRIPTION

Bevelled, tinted mirrored glass wall panels. Each mirror panel measures 450x450x4mm overall. Panels are available in four different patterns and three colours, which can be mixed.

## MATERIAL

Bevelled Mirror / BS EN 1036-1:2007

## COLOUR



Smoked Bronze



Pink Rosé



Black Gloss

## PRODUCT CODE

Pleat Mirror Panel-Two Piece: AK03 Smoked Bronze / AK03 Pink Rosé / AK03 Black Gloss  
 Pleat Mirror Panel-Three Piece: AK04 Smoked Bronze / AK04 Pink Rosé / AK04 Black Gloss  
 Pleat Mirror Panel-Six Piece: AK05 Smoked Bronze / AK05 Pink Rosé / AK05 Black Gloss  
 Pleat Mirror Panel-Twelve Piece: AK06 Smoked Bronze / AK06 Pink Rosé / AK06 Black Gloss

## NOTES

Each panel is backed with standard mirror foil for direct wall application; adhesive not supplied; panels supplied in strips for transportation purposes

## WEIGHT

Max. 2kg per panel in 4mm mirror

## DIMENSIONS

H 450mm, W 450mm, D 4mm

## SAMPLES

Colour samples available in 70x70mm size approximately, @£5.00 each, excl. VAT & Shipping

# INSTALLATION GUIDE PLEAT MIRROR PANELS

The mirrors are installed in 450mm x 450mm panels and are made up of strips, the number of which vary according to the panel type. For ease of transportation, these strips are packed individually and would need to be installed one by one. Our foil backing sheet is attached to each strip, please do not remove. In terms of installation, we recommend mirror adhesive, as per your mirror installer's specification.

Please see below for strip sizes:

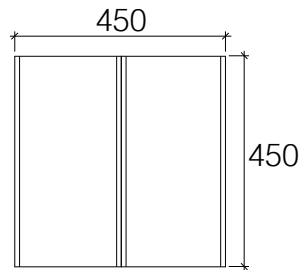
AK03 mirror panel is made up of 2 individual strips of mirror that are 225mm wide and 450mm long each

AK04 mirror panel is made up of 3 individual strips of mirror that are 150mm wide and 450mm long each

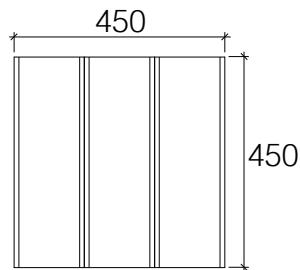
AK05 mirror panel is made up of 6 individual strips of mirror that are 75mm wide and 450mm long each

AK06 mirror panel is made up of 12 individual strips of mirror that are 37.5mm wide and 450mm long each

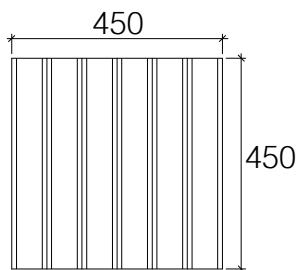
**AK03**



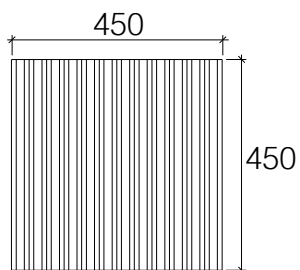
**AK04**



**AK05**

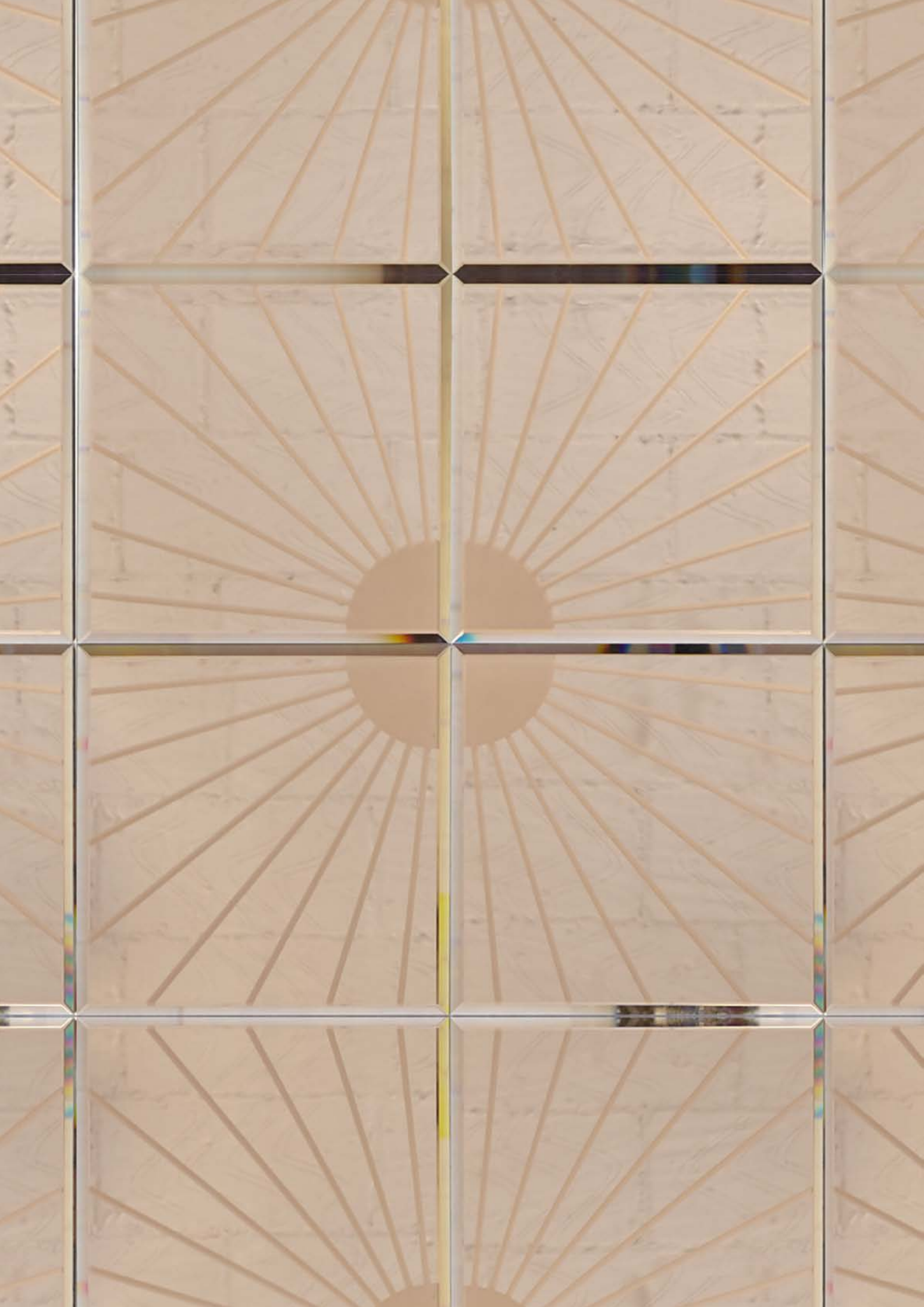


**AK06**



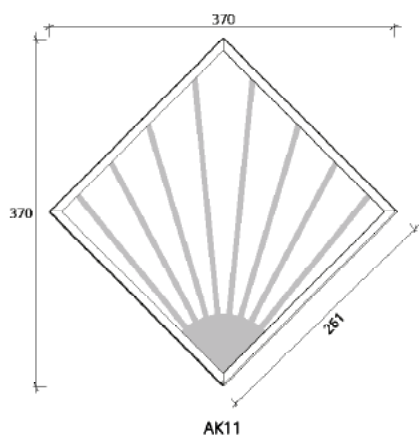
# CALCUTTA MIRROR TILE








# CALCUTTA MIRROR TILE



AK11 Pink Rosé

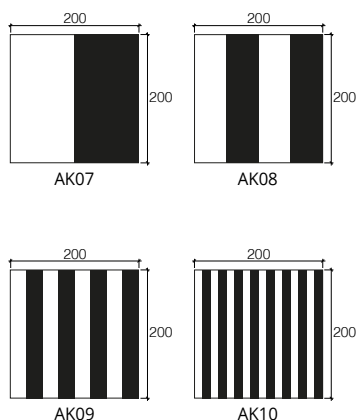
<b>PRICE</b>	Calcutta Mirror Tile AK11: £68.00 per tile, excl. VAT & Shipping
<b>LEAD TIME</b>	6-8 weeks
<b>ORDER &amp; CONTACT</b>	order@afroditi.com
<b>DESCRIPTION</b>	Bevelled, tinted mirrored glass wall tiles. Each tile is 261x261x4mm. Tiles are available in three mirror colours, shown below.
<b>MATERIAL</b>	Bevelled, Sandblasted Mirror
<b>COLOUR</b>	 Smoked Bronze      Pink Rosé      Black Gloss
<b>PRODUCT CODE</b>	Calcutta Mirror Tile: AK11 Smoked Bronze / AK11 Pink Rosé / AK11 Black Gloss
<b>BACKING</b>	Each panel is backed with a standard mirror foil for direct wall application; adhesive not supplied
<b>WEIGHT</b>	Approx. 0.8 kg per tile
<b>DIMENSIONS</b>	Actual: H 261mm, W 261mm, D 4mm Corner to opposing corner: 370mm
<b>SAMPLES</b>	Colour samples available in 70x70mm size approximately, @£5.00 each, excl. VAT & Shipping

# PIANO TILE





# PIANO TILE



AK07 B&W



AK08 B&W



AK09 B&W



AK10 B&W

<b>PRICE</b>	<p>Piano Tile AK07: £105.00 per m<sup>2</sup>, excl. VAT &amp; Shipping                  Piano Tile AK08: £105.00 per m<sup>2</sup>, excl. VAT &amp; Shipping                  Piano Tile AK09: £105.00 per m<sup>2</sup>, excl. VAT &amp; Shipping                  Piano Tile AK10: £105.00 per m<sup>2</sup>, excl. VAT &amp; Shipping</p> <p>Tiles per m<sup>2</sup>: 25 @£4.20 per tile, excl. VAT &amp; Shipping</p>
<b>LEAD TIME</b>	6-8 weeks, limited availability in stock
<b>ORDER &amp; CONTACT</b>	order@afroditi.com
<b>MINIMUM QUANTITY</b>	Minimum quantity is 7m <sup>2</sup>
<b>DESCRIPTION</b>	A bold, monochromatic range of hand made tiles. Each tile is 200x200x16mm. Available in 4 different patterns which can be mixed.
<b>MATERIAL</b>	Encaustic Cement
<b>COLOUR</b>	Black & White (other colours available on request)
<b>PRODUCT CODE</b>	<p>Piano Tile-Two Strips: AK07 B&amp;W                  Piano Tile-Four Strips: AK08 B&amp;W                  Piano Tile-Eight Strips: AK09 B&amp;W                  Piano Tile-Sixteen Strips: AK10 B&amp;W</p>
<b>TILE SEALER</b>	Encaustic tile sealer is a solvent based sealer that limits water and oil penetration. The tile sealer impregnates the tile, protects it and keeps its natural matt aspect. Sealer not included.
<b>WEIGHT</b>	1.4kg per tile
<b>DIMENSIONS</b>	H 200mm, W 200mm, D 16mm
<b>SAMPLES</b>	Samples available in 200x200mm @£5.00 each, excl. VAT & Shipping

# INSTALLATION GUIDE PIANO TILES

## TILE INSTALLATION

Cement tiles must be installed on a well levelled, clean and dry surface. Humid subsoil will cause fur deposits on the tile surface. Apply adhesive evenly to the back of the tiles using a large-toothed comb trowel. Position the tiles with your hands, without hammering, leaving a thin gap of 1 or 2 mm between each one. This is approximately the thickness of a filling-knife. Once the tiles are installed and the cement adhesive is dry, scrub the surface clean using water only. Cleaning the tiles will also remove the thin layer of pigmented dust.

## GROUTING

Never use dyed cement joint filler; pigments from the joint might stain the tiles irreversibly. Fill the gap between the tiles using a filling-knife, being careful not to spread the cement joint filler onto the tiles. Any cement joint filler surplus must be cleaned immediately with a wet cloth/sponge. Never use acid (cement dissolver) to remove the excess or stains of cement joint filler.

## TILE SEALER

Encaustic tile sealer is a solvent based sealer that limits water and oil penetration. Encaustic tile sealer impregnates the tile, protects it and keeps its natural matt aspect. It must be applied with a brush or a roller on a dry and clean surface. One or more successive applications until the tile is saturated. Do not apply too much. The excess would leave glistening stains on the surface (brush traces).

Always try the sealer on a loose tile before applying it on the entire surface, in order to measure the grade of absorption of the tiles.

## MAINTENANCE

Clean with neutral soap (green soap, Murphy soap, etc.) and water. Never clean with harsh detergents, acid or alkaline. The toughest stains can be smoothed out by scrubbing with an abrasive like Scotch Brite and/or a solvent.

## HEAVY TRAFFIC FLOORS

Bars, shops, restaurants, etc. These floors require special protection and attention on a daily basis. Please consult us.

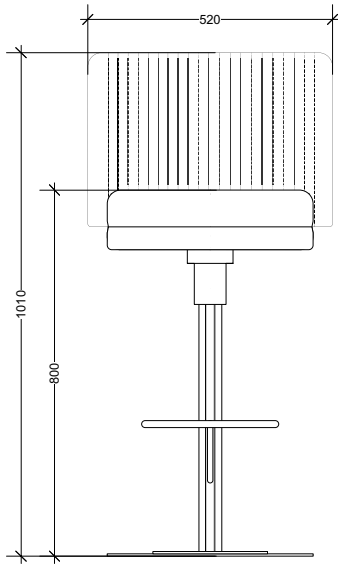
## DELIVERY

The tiles are packed in cardboard boxes of approximately 20kg each. Type of delivery will depend on the amount ordered and drop off location.

# ATHENS BAR STOOL



# ATHENS BAR STOOL



AK13 Athens Bar Stool

<b>PRICE</b>	Please contact Missana directly
<b>LEAD TIME</b>	5-6 weeks
<b>ORDER &amp; CONTACT</b>	<a href="http://www.missana.es">www.missana.es</a>
<b>DESCRIPTION</b>	A pivoting bar stool in a distinct three-pole base design and upholstered seating. The overall footprint is 550mm whilst providing with exceptional stability and comfort.
<b>MATERIAL</b>	Steel structure and polyester fibre upholstery
<b>COLOUR</b>	Please contact Missana directly
<b>PRODUCT CODE</b>	AK13: Athens Bar Stool
<b>MAINTENANCE</b>	Maintenance instructions included in the packaging.
<b>WEIGHT</b>	33.50kg per unit
<b>DIMENSIONS</b>	H 1010mm, W 520mm, D 550mm, Seat 800mm
<b>PACKAGING SIZE</b>	1110x650x620mm

## **ORDER INFORMATION**

### **ORDER**

Order directly from our UK based studio.  
To order please email [order@afroditi.com](mailto:order@afroditi.com).

### **SAMPLES**

Please contact us to order samples.  
Please note that small fee for postage & packing applies..

### **PAYMENT**

We accept BACS & PayPal Payments.

### **TERMS & CONDITIONS**

Terms & Conditions available upon request.



# PENTAGON PENDANTS

Vyta Boulangerie, Rome



# CALCUTTA MIRROR TILES

Hotel Calcutta, Kuwait



# PIANO TILES

Suvlaki, London



*Thank you.*

The Railway Hotel  
Unit 1B, 167 Broadhurst Gardens  
London, NW6 3AU  
[info@afroditi.com](mailto:info@afroditi.com)